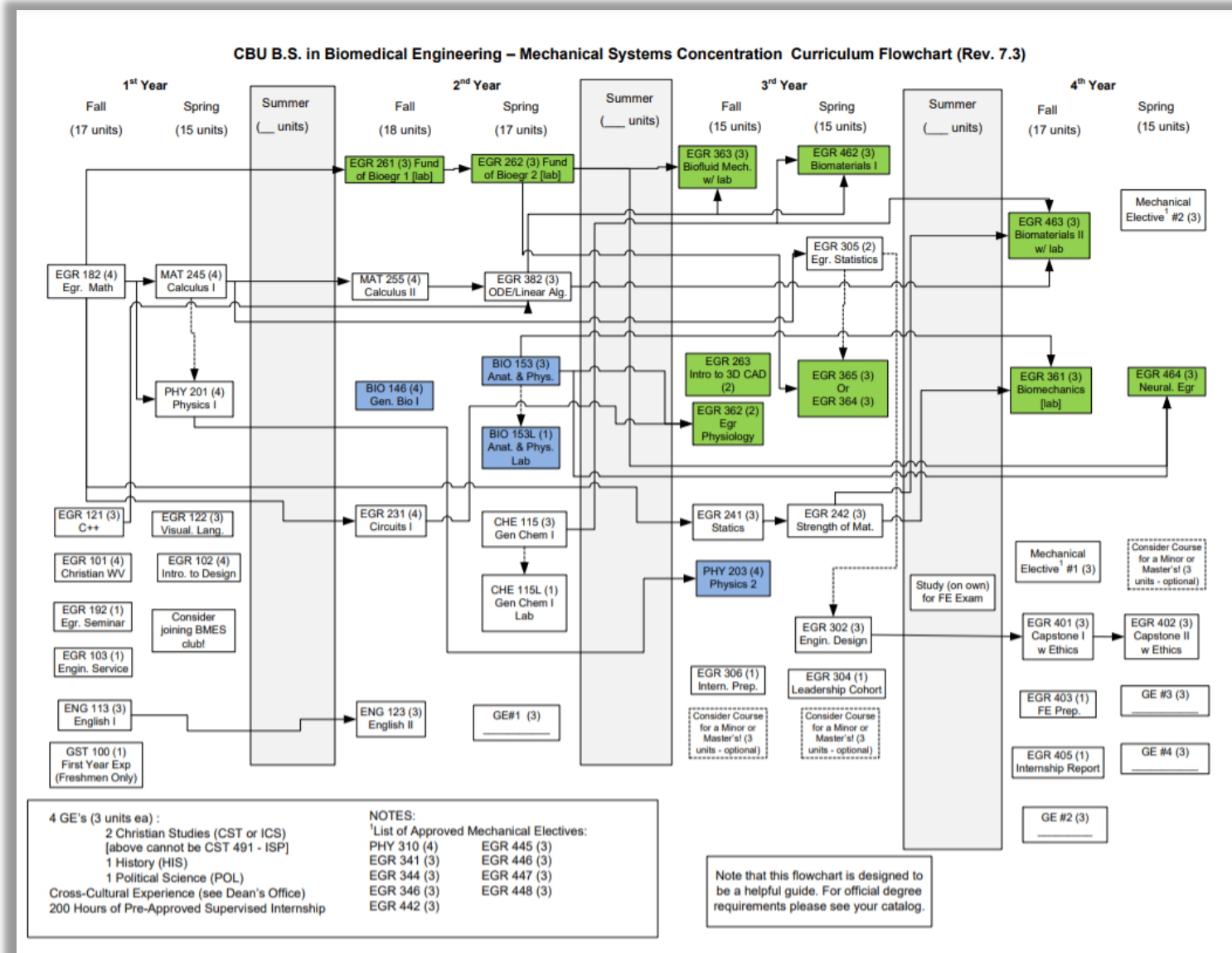




CBU

California Baptist University

Engineering Flowchart



Navigating to Your Flowchart

The screenshot shows the CBU InsideCBU website interface. At the top, there is a navigation bar with the CBU logo and 'InsideCBU' text. Below this is a horizontal menu with various categories: Academics, Admissions, C&E, Facilities, Financial Aid, HR Info, ITS, Life @ CBU, M and C, Online, Print & Copy, Provost, Safety Services, Student Accounts, UA, and My Pages. A yellow arrow labeled '1' points to the 'Academics' link in this menu.

Below the navigation bar, the breadcrumb trail reads 'You are here: Academics > Traditional Students'. On the left side, there is a vertical sidebar menu under the heading 'Academics'. A yellow arrow labeled '2' points to the 'Traditional Students' link in this sidebar.

The main content area is titled 'Traditional Students' and features a large blue button that says 'FIND MY STUDENT SUCCESS COACH'. Below this button are six icons representing different student success topics: Choosing a Career and Major, Creating a Degree Plan, Registering for Classes, Getting Support, Beyond the Classroom, and Preparing for Graduation.

Below the success coach section, there are three main content blocks. The first block is 'Degree Planning Resources', which includes links for 'Major Planning Guides', 'Engineering Flowcharts' (highlighted with a yellow box and a yellow arrow labeled '3'), and 'University Catalogs'. The 'Engineering Flowcharts' link is the target of the navigation.

The second block is 'Degree Planning Petitions and Worksheets', which includes links for 'Declaration of Major, Minor, Concentration, Catalog Year Form', 'Degree Course Planning Worksheet', 'Degree Course Planning Worksheet - Music', 'Degree Course Planning Worksheet - Pre-Nursing', 'Challenge Course by Certification', and 'Variance Request Form'.

The third block is 'Registration Resources', which includes links for 'How to Register in Your Classes', 'Block Schedule Worksheet', 'Varsity Athletic Practice Time Schedule', and 'General Education for Students in 2022 Catalog Year or Later' and 'General Education for Students in 2021 Catalog Year or Prior'.

At the bottom of the page, there are two more blocks: 'Registration Petitions' and 'My Degree Guide'. The 'Registration Petitions' block includes links for 'Academic Overload Request', 'Credit/No Credit Request', and 'Directed and Independent Study Request'. The 'My Degree Guide' block is partially visible at the bottom.



Navigating to Your Flowchart

California Baptist University Apply Now | Visit Campus | Give

CBU Academic Advising Find My Student Success Coach Staff Academic Journey Resources

ACADEMIC ADVISING | MAJOR PLANNING GUIDES

[CBU](#) > [Academic Advising](#) > [Resources](#) > [Major Planning Guides](#)

Major Planning Guides

Major Planning Guides provide students with easy to read overviews of their major and general education requirements, along with sample plans.

Be sure to view the appropriate guide according to your catalog year (learn how to find your catalog year [here](#)). Refer to the [University Catalog](#) for the most up-to-date course offerings and prerequisites.

2023 -2024 Major Planning Guides	+
2023 -2024 Engineering Flowcharts	+

4 ←

Navigating to Your Flowchart



2023 -2024 Engineering Flowcharts +

[Biomedical Engineering – General Studies Flowchart](#)

[Biomedical Engineering – Mechanical Systems Concentration Flowchart](#)

[Chemical Engineering Flowchart](#)

[Civil Engineering Flowchart](#)

[Computer Science Flowchart](#)

[Construction Management Flowchart](#)

[Construction Management - General Education Guide](#)

[Electrical and Computer Engineering Flowchart](#)

[Electrical and Computer Engineering Flowchart \(3 year accelerated program\)](#)

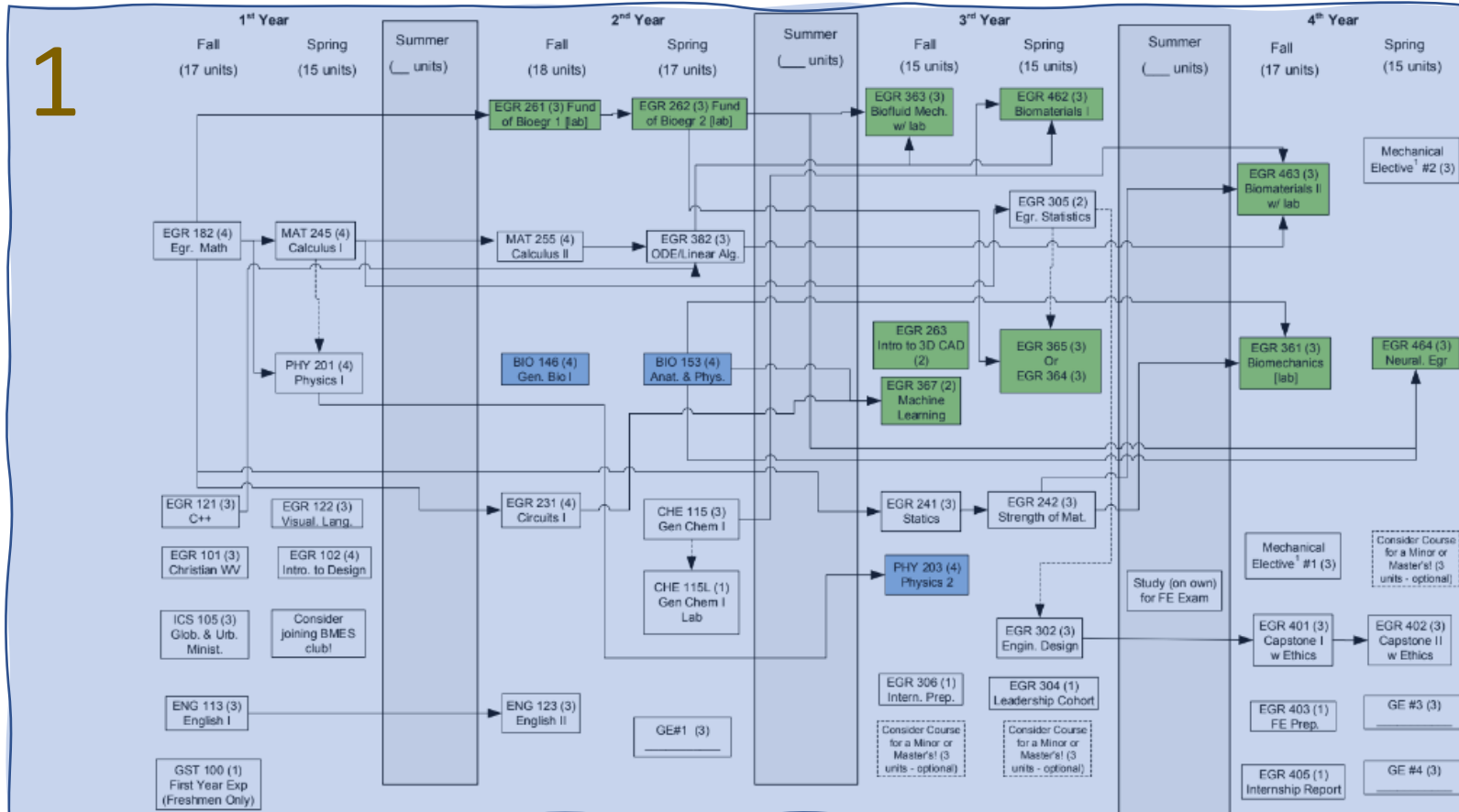
[Engineering - General Education Guide](#)

[Mechanical Engineering Flowchart](#)



Engineering Flowchart

CBU B.S. in Biomedical Engineering – Mechanical Systems Concentration Curriculum Flowchart (EGR182 ENG113/123)



1

4 GE's (3 units ea) :
 2 Christian Studies (CST or ICS)
 [above cannot be CST 491 - ISP]
 1 History (HIS)
 1 Political Science (POL)
 Cross-Cultural Experience (see Dean's Office)
 200 Hours of Pre-Approved Supervised Internship

NOTES:
¹List of Approved Mechanical Electives:
 PHY 310 (4) EGR 445 (3)
 EGR 341 (3) EGR 446 (3)
 EGR 344 (3) EGR 447 (3)
 EGR 346 (3) EGR 448 (3)
 EGR 442 (3)

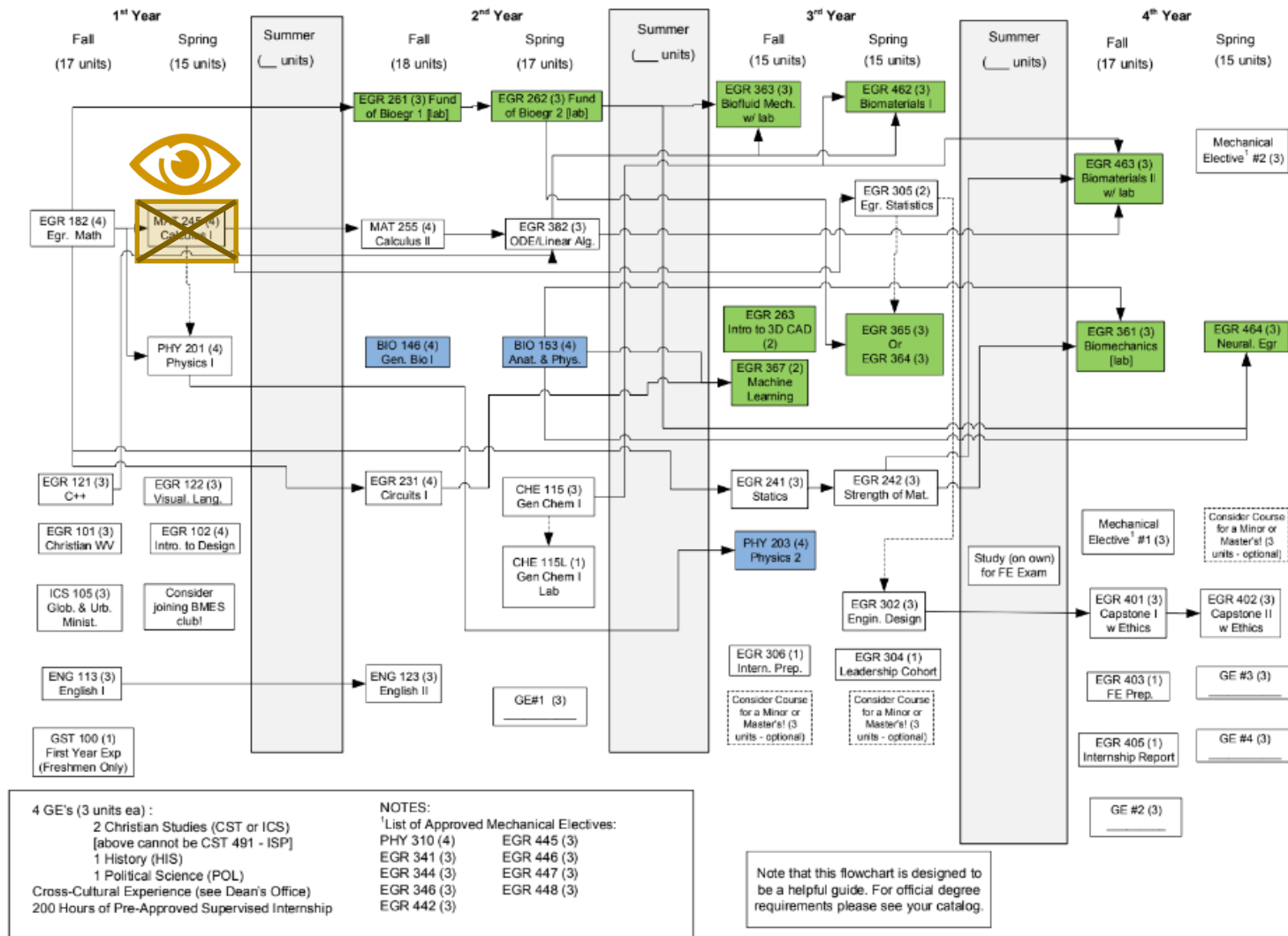
Note that this flowchart is designed to be a helpful guide. For official degree requirements please see your catalog.



Engineering Flowchart

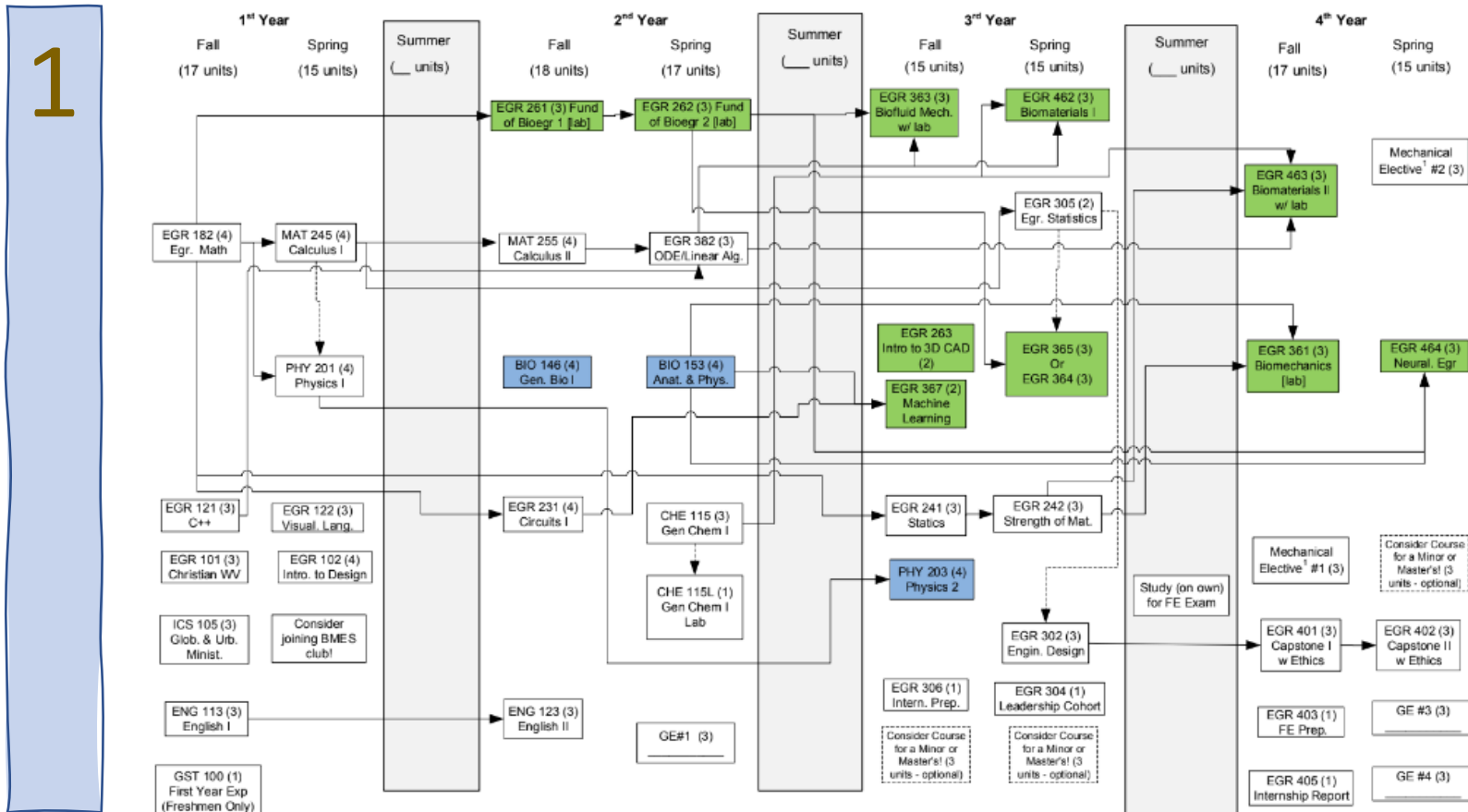
1

CBU B.S. in Biomedical Engineering – Mechanical Systems Concentration Curriculum Flowchart (EGR182 ENG113/123)



Engineering Flowchart

CBU B.S. in Biomedical Engineering – Mechanical Systems Concentration Curriculum Flowchart (EGR182 ENG113/123)



1

2

4 GE's (3 units ea) :
 2 Christian Studies (CST or ICS)
 [above cannot be CST 491 - ISP]
 1 History (HIS)
 1 Political Science (POL)
 Cross-Cultural Experience (see Dean's Office)
 200 Hours of Pre-Approved Supervised Internship

NOTES:
¹List of Approved Mechanical Electives:
 PHY 310 (4) EGR 445 (3)
 EGR 341 (3) EGR 446 (3)
 EGR 344 (3) EGR 447 (3)
 EGR 346 (3) EGR 448 (3)
 EGR 442 (3)

Note that this flowchart is designed to be a helpful guide. For official degree requirements please see your catalog.

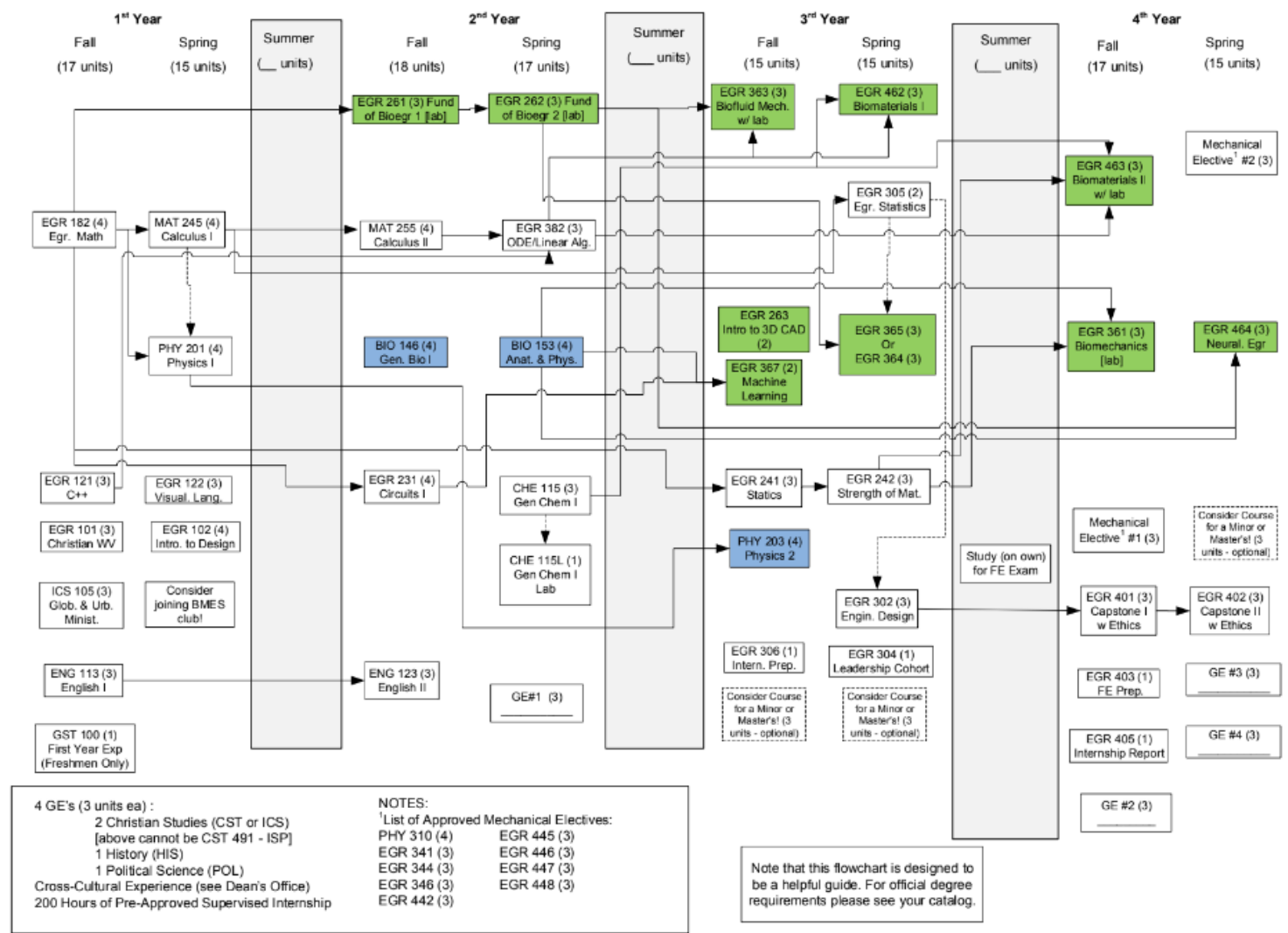


Engineering Flowchart

1

2

CBU B.S. in Biomedical Engineering – Mechanical Systems Concentration Curriculum Flowchart (EGR182 ENG113/123)



Your First Semester Classes



CLASS REGISTRATION



Dear Larry,

Welcome to Class Registration at California Baptist University! My name is Julie Jones and I am the Academic Advisor who will be assisting you with Class Registration for your major, Pre-Biomedical Engineering.

Below is some key information you will need when registering into your Fall 2023 courses:

Password: abc123

English Placement (required in first semester): ENG123 Intermediate Composition

Math Placement: EGR181, Elementary Mathematics for Engineering Applications with Lab

Admit Status: Honors

Special Notes (if applicable): If your Math placement is EGR181, then you will register into EGR181 and EGR122 this fall and EGR182 and EGR121 in the spring. Your Major flow chart will provide your remaining classes for the FA20 semester. Please register into GST100 First Year Experience

You will be guided through selecting the remainder of your Fall 2023 courses when you click on the link below to begin Class Registration.

