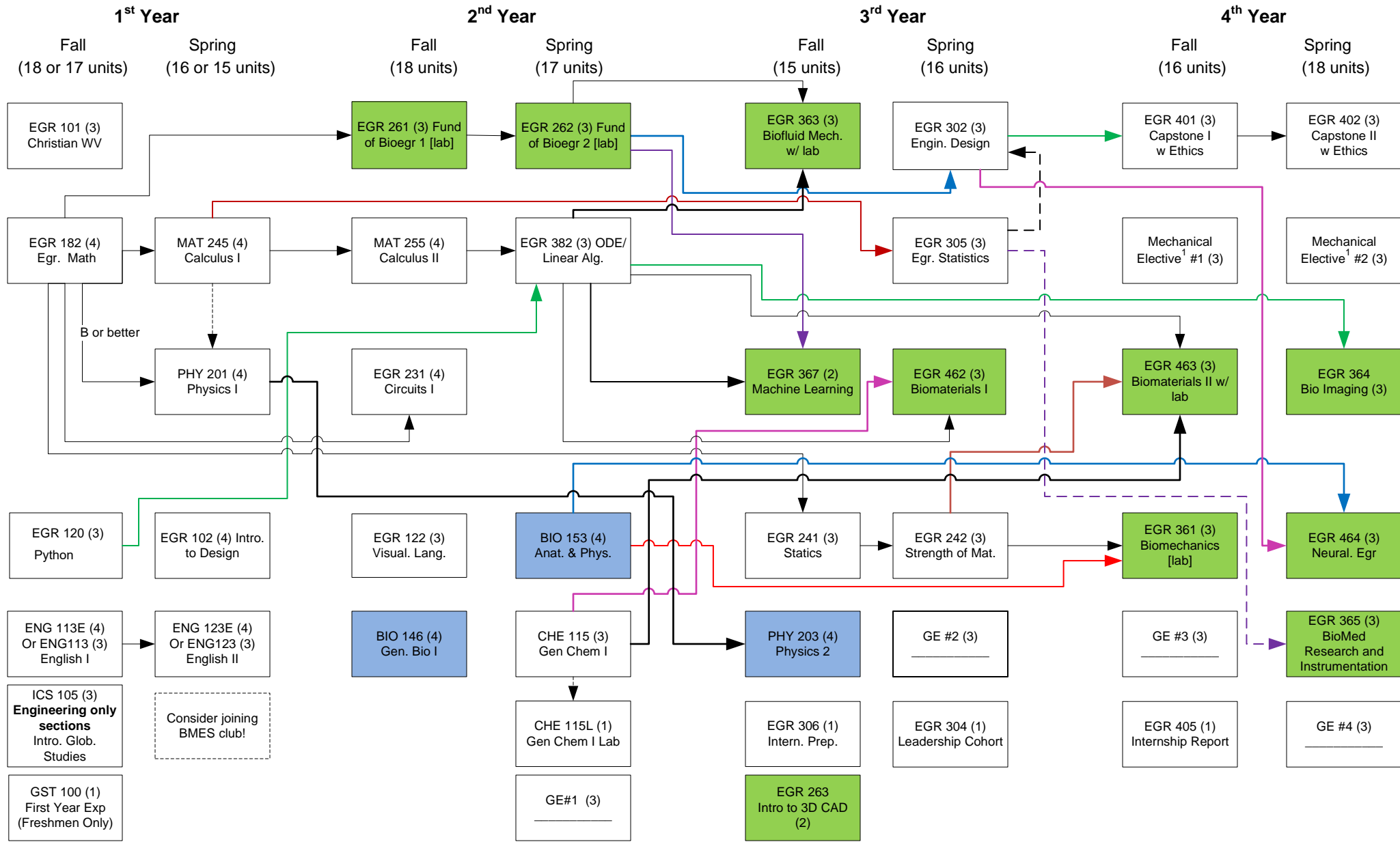


CBU B.S. in Biomedical Engineering – Mechanical Concentration Curriculum Flowchart (2023-24, EGR182)



2 GE's (3 units ea) :
 2 Civic World [see University Catalog]
 Complete an approved cross-cultural experience
 Complete 200 hours of pre-approved supervised internship

NOTES:
¹Science Elective can be met by:
 PHY 203: Physics for Egr's II w Lab (4)
 BIO 163: Anatomy and Physiology II w Lab (4)
 BIO 313: Genetics (4)
 CHE 125/125L: Gen. Chem II w Lab (4)

Note that this flowchart is designed to be a helpful guide. For official degree requirements please see your catalog.