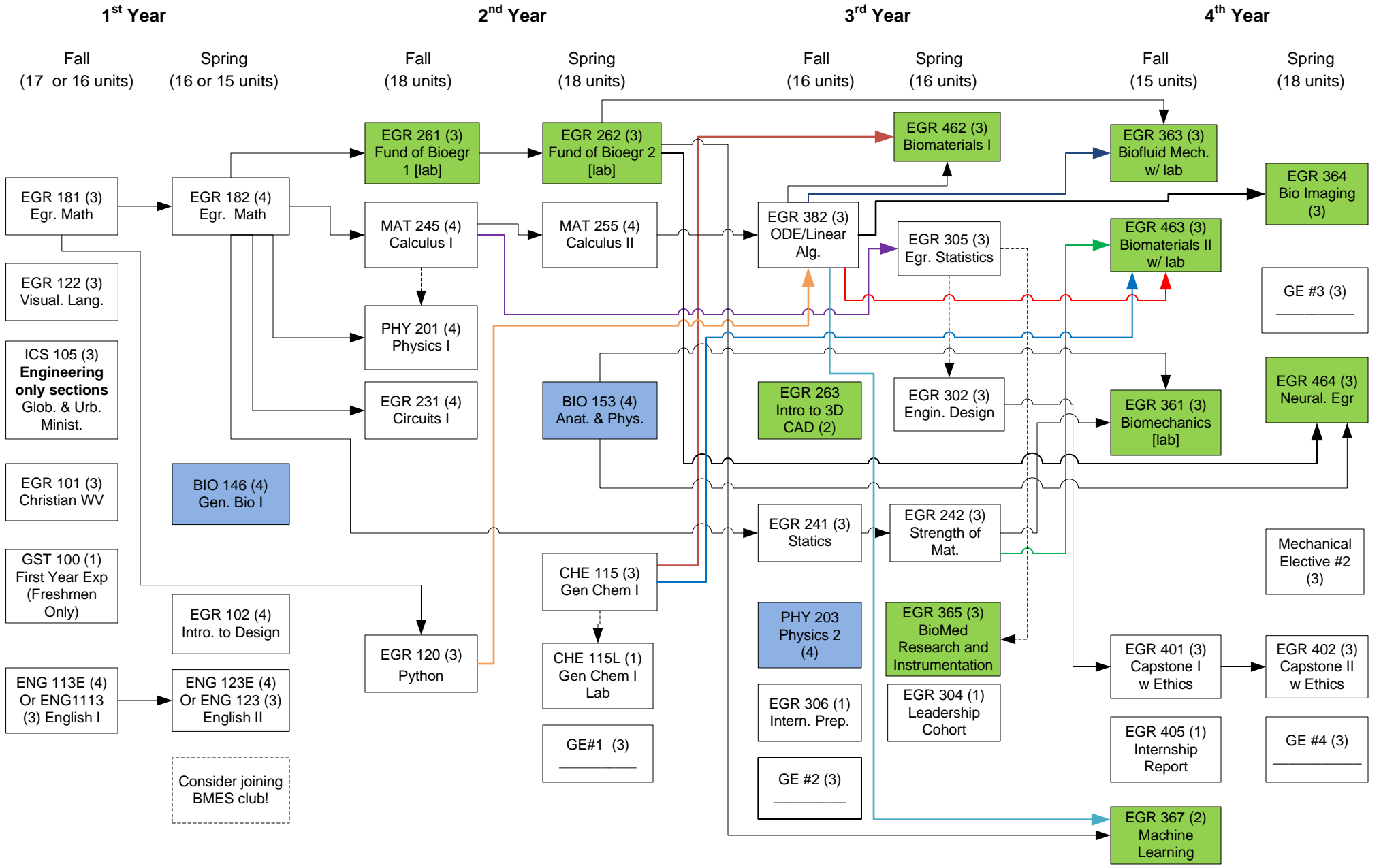


CBU B.S. in Biomedical Engineering – Mechanical Concentration Curriculum Flowchart (EGR181 ENG113/123(E))



2 GE's (3 units ea) :
 2 Civic World [see University Catalog]
 Complete an approved cross-cultural experience
 Complete 200 hours of pre-approved supervised internship

Note that this flowchart is designed to be a helpful guide. For official degree requirements please see your catalog.